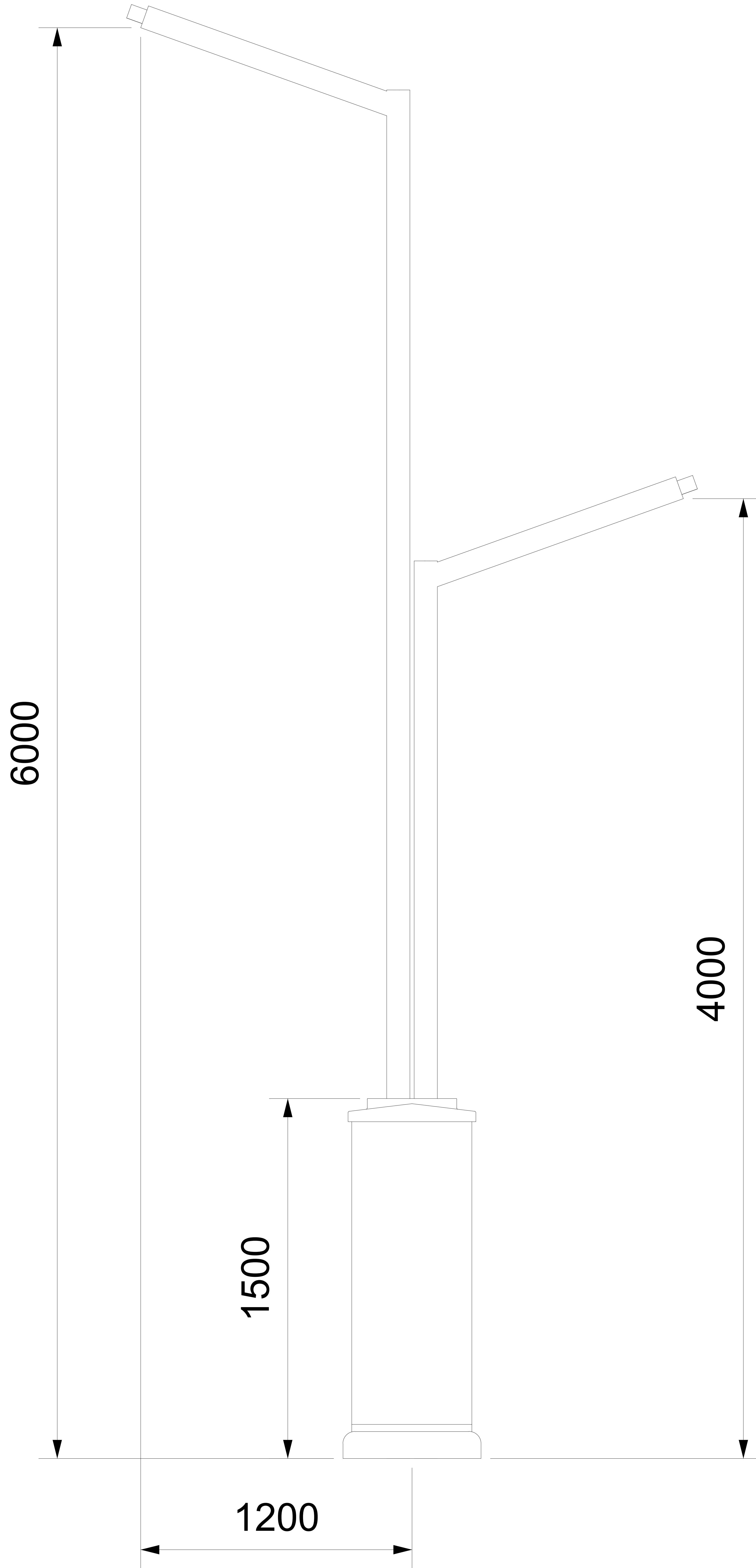


Alternative Pole Heights : 3000-5000 , 4000-6000 , 5000-7000 , 6000-8000 mm.

(All dimensions are in millimetres.)



EKALDES	İsim - Soyisim Name - Surname	Tarih Date	Ürün İsmi / Ürün Kodu Product Name / Product Code	Proje Adı / Proje Kodu Project Name / Project Code																																													
Çizen Drawing By	Linea																																													
Kontrol Control	EAD_4201																																													
Antet Format	Ölçek Scale	Vida Anma Çapları Genel Tablosu The General Table for Screw Nominal Diameter		Belirtilmeyen toleranslar Unspecified Tolerance																																													
A4	<table border="1"><thead><tr><th>Anma Çapı Nominal Diameter</th><th>M 3</th><th>M 4</th><th>M 5</th><th>M 6</th><th>M 8</th><th>M 10</th><th>M 1 2</th><th>M 1 6</th><th>M 2 0</th><th>M 2 4</th><th>Aralık Interval</th><th>1<6</th><th>6<30</th><th>30<120</th></tr></thead><tbody><tr><td>Adım - Pitch</td><td>0,5</td><td>0,7</td><td>0,8</td><td>1,0</td><td>1,2 5</td><td>1,5 0</td><td>1,7 5</td><td>2,0 0</td><td>2,5 0</td><td>3,0 0</td><td>Hassas- Precision</td><td>0,1</td><td>0,6</td><td>1,5</td></tr><tr><td>Erkek - External</td><td>2,77 5</td><td>3,66</td><td>4,60 5</td><td>5,50 0</td><td>7,34 8</td><td>9,206</td><td>11,06 3</td><td>14,91 3</td><td>18,60 0</td><td>22,316</td><td>Orta- Moderate</td><td>0,2</td><td>1,2</td><td>3</td></tr></tbody></table>	Anma Çapı Nominal Diameter	M 3	M 4	M 5	M 6	M 8	M 10	M 1 2	M 1 6	M 2 0	M 2 4	Aralık Interval	1<6	6<30	30<120	Adım - Pitch	0,5	0,7	0,8	1,0	1,2 5	1,5 0	1,7 5	2,0 0	2,5 0	3,0 0	Hassas- Precision	0,1	0,6	1,5	Erkek - External	2,77 5	3,66	4,60 5	5,50 0	7,34 8	9,206	11,06 3	14,91 3	18,60 0	22,316	Orta- Moderate	0,2	1,2	3		
Anma Çapı Nominal Diameter	M 3	M 4	M 5	M 6	M 8	M 10	M 1 2	M 1 6	M 2 0	M 2 4	Aralık Interval	1<6	6<30	30<120																																			
Adım - Pitch	0,5	0,7	0,8	1,0	1,2 5	1,5 0	1,7 5	2,0 0	2,5 0	3,0 0	Hassas- Precision	0,1	0,6	1,5																																			
Erkek - External	2,77 5	3,66	4,60 5	5,50 0	7,34 8	9,206	11,06 3	14,91 3	18,60 0	22,316	Orta- Moderate	0,2	1,2	3																																			

Bu teknik çizim Ekaldes Aydınlatma San. Tic. A.Ş.'nin mülkiyetindedir. Yazılı izin alınmadan kopyalanamaz, çoğaltılamaz veya üçüncü kişilere aktarılamaz.
This technical drawing is the property of Ekaldes Lighting Industry and Trade Inc. It may not be copied, reproduced, or disclosed to third parties without prior written consent